



pCon
PLANNER

New features in pCon.planner 8.5

Sales Features pCon.planner 8.5 (2021-04-19)

New Features in pCon.planner


Content

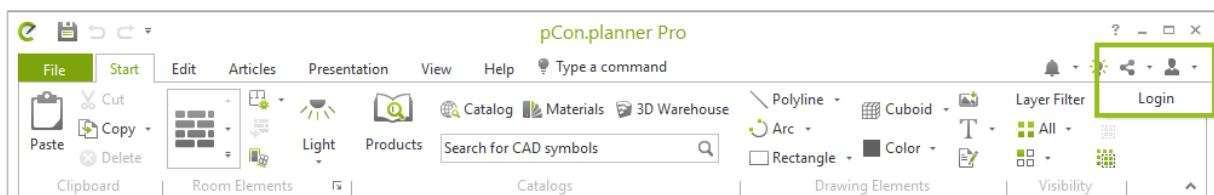
1	Support for pCon.login (Pro and ME)	3
2	Image Rendering	4
2.1	Renderings Finished Earlier with OSPRay	4
2.2	Rendering Aborted Earlier	4
2.3	Improved Denoising Quality	4
2.4	Multi Content Panorama (Pro)	5
3	Realtime Rendering	5
4	Lights	6
5	Tools	7
5.1	New 2D Projection (Pro)	7
5.2	Arrangement	8
6	File operations	8
7	Managing and Sharing Content	9
7.1	3D Model Sharing	9
7.2	Media Browser	9
7.3	Catalog	9
8	Changes	9

1 Support for pCon.login (Pro and ME)

With pCon.planner 8.5, the connection to pCon.login becomes possible. pCon.login is your user account for a growing number of pCon applications and services.

Connecting pCon.planner and pCon.login enhances the Product Information feature: Additional content can be retrieved in the *Product Information* window when authorized via pCon.login.

This is how you connect pCon.planner 8.5 and pCon.login: Click the  icon in the upper right corner of pCon.planner and select *Login* from the menu. The pCon.login page will open. Enter your pCon.login user account data.



Want to get familiar with pCon.login? Visit <https://login.pcon-solutions.com/en/help> for more information.

pCon.login also offers an alternative way to license your pCon.planner. Instead of the conventional single-user and network licenses via the EasternGraphics Safenet license manager, licensing via pCon.login takes the form of named user licenses. For further information please contact your pCon sales partner.

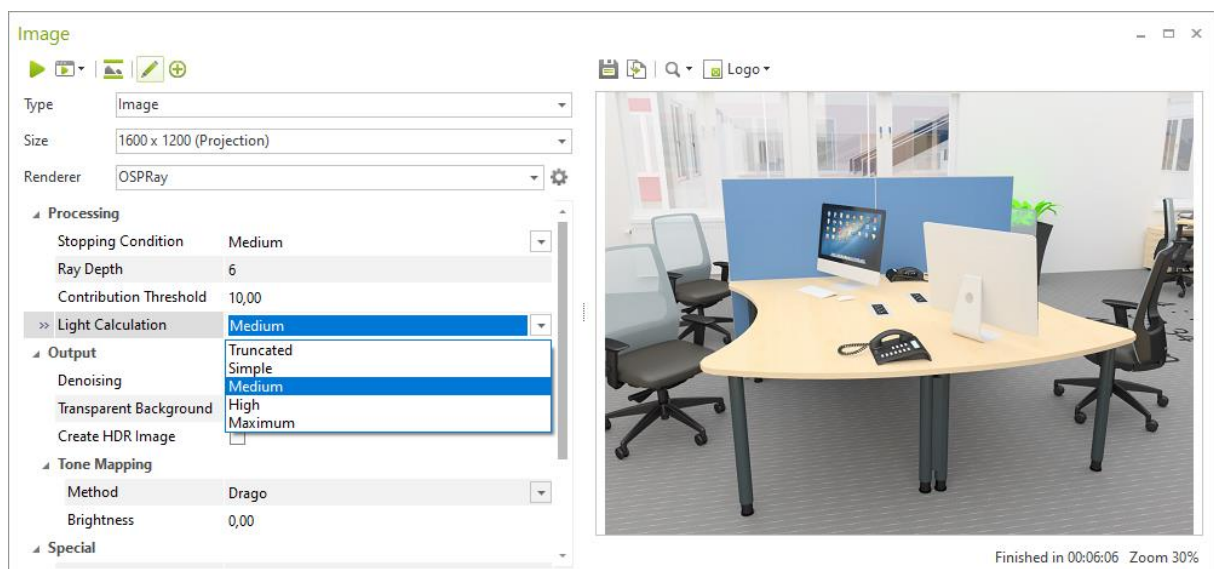
As long as a license key is stored in the EasternGraphics Safenet License Manager, licensing is done automatically via the EasternGraphics Safenet License Manager. If a Safenet license key is stored for pCon.planner 8.5 PRO, there are no changes to the licensing procedure.

2 Image Rendering

2.1 Renderings Finished Earlier with OSPRay

A new *Light Calculation* property is now available for OSPRay (*Image* dialog, *Presentation* tab). This allows faster renderings with reduced precision in lighting calculation.

How to utilize *Light Calculation*: Open the *Image* dialog, *Presentation* tab. Make your settings for rendering. The *Light Calculation* option is located in the *Processing* section of the *Image* dialog. By choosing one of the grades – *Truncated*, *Simple*, *Medium*, *High* or *Maximum*, you define how many light sources in the planning are calculated in each rendering pass, with *Truncated* using only one light source per pass and *Maximum* taking all light sources in your scene into account for each pass.



Please note that the effect of the *Light Calculation* setting depends on the complexity of your drawing and the individual light situation to be calculated.

2.2 Rendering Aborted Earlier

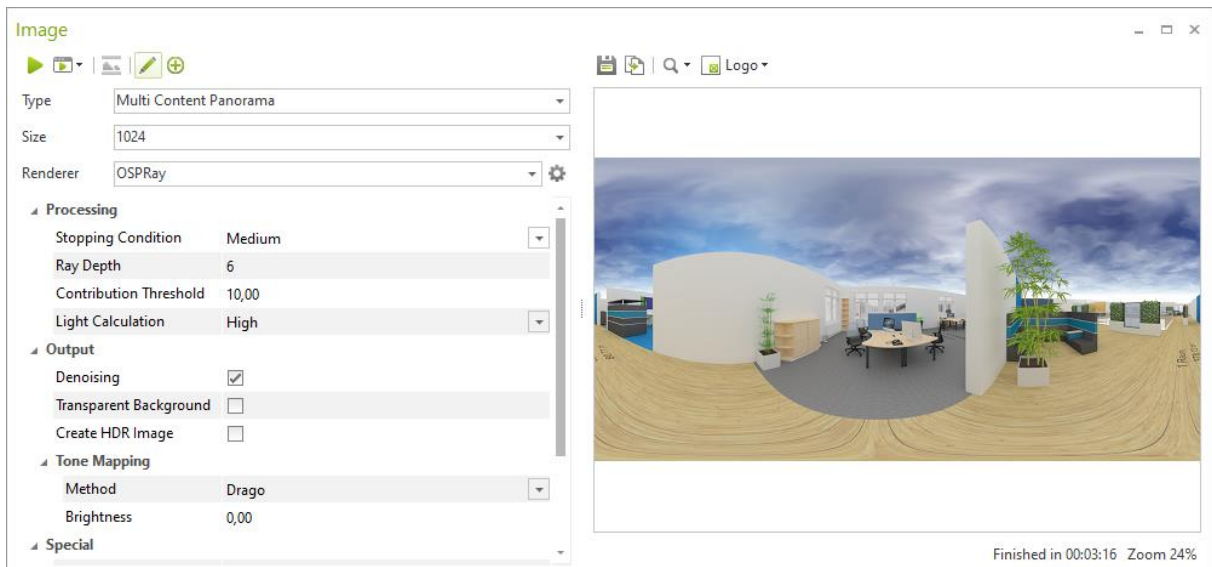
If no further improvement is expected when rendering with OSPRay, the rendering will abort earlier.

2.3 Improved Denoising Quality

Furthermore, the denoising quality is improved: With the help of improved sharpness of details, the images become less blurry overall, with fewer noisy artifacts and more convincing in quality. Additionally, there is a (slightly) improved performance and lower memory consumption.

2.4 Multi Content Panorama (Pro)

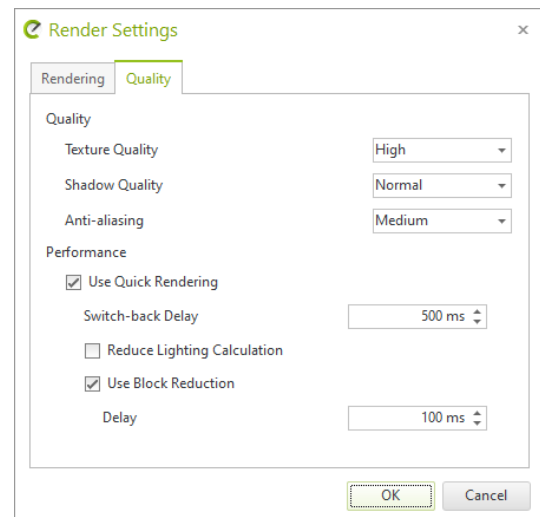
To leave lasting impressions with your product images, you have a new option now. A new rendering output type is available: Multi Content Panorama (.epan). Multi Content Panoramas are panoramic images enriched with information on price or manufacturer. These pieces of information are displayed after a click on an article, set article or user article in the image.



3 Realtime Rendering

In pCon.planner 8.5, the OpenGL rendering has been revised and modernized. *Quick Rendering* now is activated by default. To change this, open the *Render Settings* dialog (View tab).

Quick Rendering enhances the performance during navigation and in complex plannings by disabling ambient occlusion and blooming as well as by reducing anti-aliasing and other parameters.

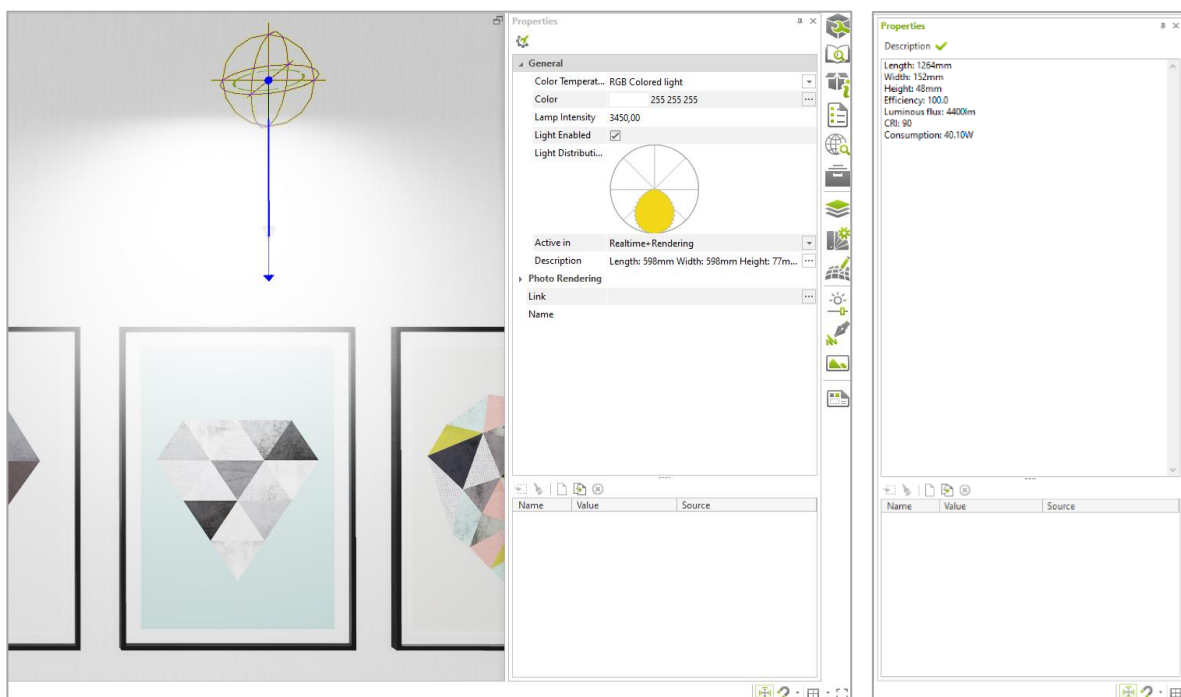


4 Lights

For photometric light sources: Instead of default intensity, the luminous flux value in lumen provided by the light source is now used. It can be viewed via the *Properties* editor. Additionally, there are shown various information provided in the photometric data file.

Please note that the additional information for light sources are only displayed for newly inserted lights.

For regular lighting elements: The *Intensity* has been replaced by *Luminosity*, with the setting remaining the same.



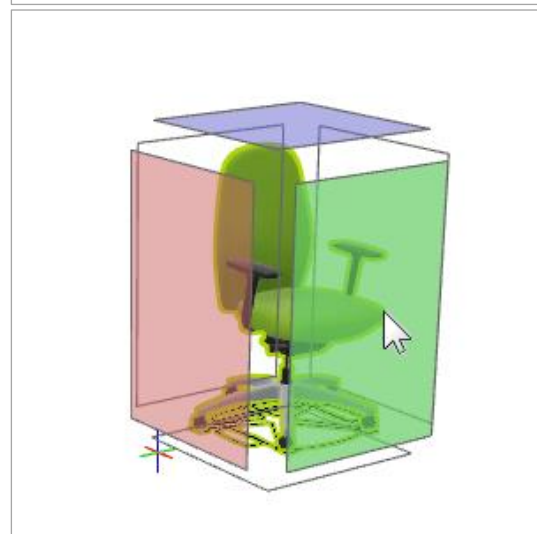
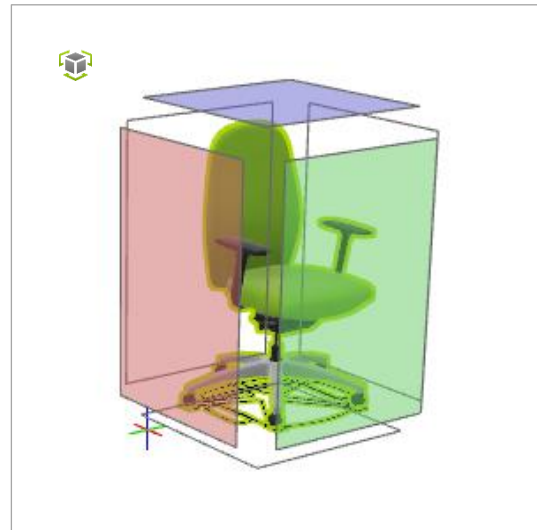
5 Tools

5.1 New 2D Projection (pCon.planner Pro)

The new *2D Projection* tool allows you to select and display a vectorized single view of the object. There are several possibilities: Interactively choose a side or multiple views - Default (Top, Front, Left, Right) or all sides at once by context menu option.

The tool can be found on the *Edit* tab, *Tools* group.

1. Select an object in your drawing and click *2D Projection* to start the process.
2. Click one of the planes that are projected around your object. Each plane signifies a possible projection.



- The projection is automatically generated and will be attached to your cursor, allowing to place it.



- Place your projection at your desired place in the drawing and confirm with a click on the left mouse button.

Additionally, it is possible to generate more than one projection at once: Select your object and click the *2D Projection* button. Open the context menu with a right-click on the mouse and select either *Default Views* or *All Views*. The views will be generated as vector graphic and can be placed freely.



5.2 Arrangement

The arrangement tool now also displays the size of the base area (read-only property in the *Properties* editor).

6 File operations

Another highlight in the new pCon.planner 8.5 is the reduced loading time, especially for large DWGs. Loading times can be reduced by up to 50%. In some cases the DWGs are loading even faster. At the same time, the performance of creating (local) backups from network paths was improved.

7 Managing and Sharing Content

7.1 3D Model Sharing

Sharing for a bigger number of customers: pCon.planner 8.5 supports Microsoft SharePoint accounts, including Microsoft SharePoint for Business.

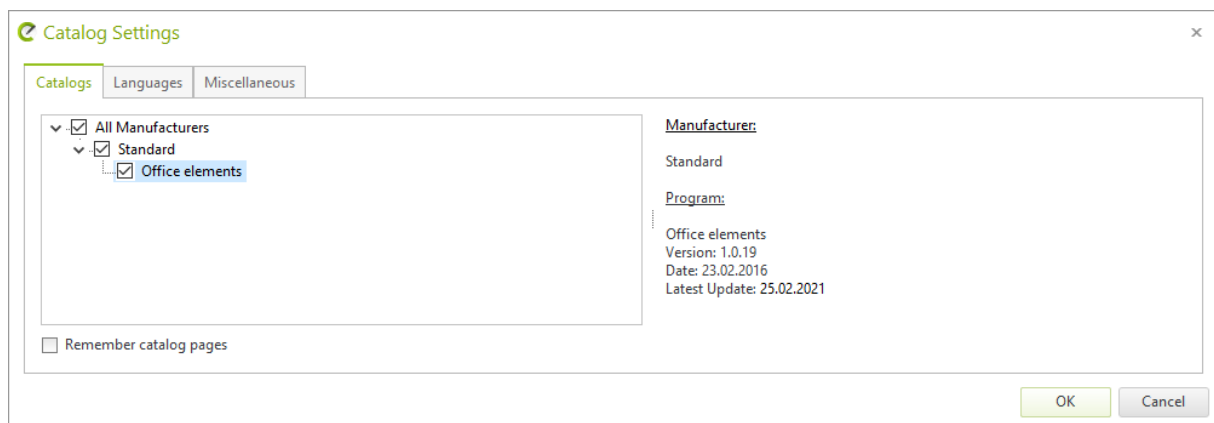
7.2 Media Browser

The *Paste-action* has been integrated, allowing you to insert files copied from your local file system or elsewhere into a new directory via the *Media Browser*.

The *Media Browser* now also supports drag&drop for USDZ and GLTF formats.

7.3 Catalog

The catalog info now shows the latest update of manufacturer and program. To retrieve the information, open the *Products* catalog and click the settings (upper right corner).



8 Changes

The Yafaray renderer is obsolete and has therefore been removed in pCon.planner 8.5. We recommend using the OSPRay renderer and its enormous creative potential instead.

For more information, see <http://help.pcon-planner.com/en/help/ospray.htm> and watch our video <https://www.youtube.com/watch?v=15r1nd0FjaU>.

Legal remarks

© EasternGraphics GmbH | Albert-Einstein-Straße 1 | 98693 Ilmenau | GERMANY

This work (whether as text, file, book or in other form) is copyright. All rights are reserved by EasternGraphics GmbH. Translation, reproduction or distribution of the whole or parts thereof is permitted only with the prior agreement in writing of EasternGraphics GmbH.

EasternGraphics GmbH accepts no liability for the completeness, freedom from errors, topicality or continuity of this work or for its suitability to the intended purposes of the user. All liability except in the case of malicious intent, gross negligence or harm to life and limb is excluded.

All names or descriptions contained in this work may be the trademarks of the relevant copyright owner and as such legally protected. The fact that such trademarks appear in this work entitles no-one to assume that they are for the free use of all and sundry.